



EVERPURE® QC71 SERIES WATER FILTERS



Single System



Twin System



Triple System



Quad System

SELECTING A MOUNTING LOCATION

- Give consideration to the weight of the unit when operating (filled with water). Operating weights of the QC71 systems are:
 - Single - 9 lbs (4 kg)
 - Twin - 19 lbs (8.5 kg)
 - Triple - 27 lbs (12 kg)
 - Quad - 36 lbs (20 kg)
- The location should allow for:
 - Minimum clearance of 2.5 inches (6.3 cm) under the cartridge(s) so it can be lowered for removal and replacement.
 - Adequate space for “in” and “out” water line connections.
 - Be near a drain for flushing and near a 110V outlet if the accessory (sold separately) Everguard™ Low Pressure Alarm (LPA) is used.
- If used in conjunction with the Everpure SR-X Feeder, the SR-X should be mounted after the QC71 Series Filter and as near the equipment as possible. If possible, keep at least 6 inches (15.2 cm) available to the left and the right of the QC71 System in the event poor quality water conditions require the installation of the optional Everpure E-Series Prefilter.

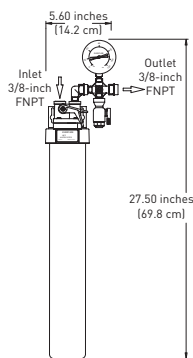


System Tested and Certified by NSF International against NSF/ANSI Standards 42 and 53 for the reduction of:

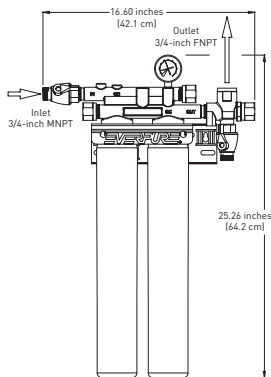
Standard No. 42 — Aesthetic Effects	Standard No. 53 — Health Effects
Bacteriostatic Effects	Mechanical Filtration
Chemical Reduction	Cyst (MC, MC ² , MH, MH ² , XC, XC ² only)
Taste and Odor	Asbestos (MC, MC ² , MH, MH ² only)
Chlorine	
Mechanical Filtration	
Nominal Particulate Class I (MC, MC ² , XC, XC ² only).	

WARNING: Do not use the MH cartridge in conjunction with the SR-X.

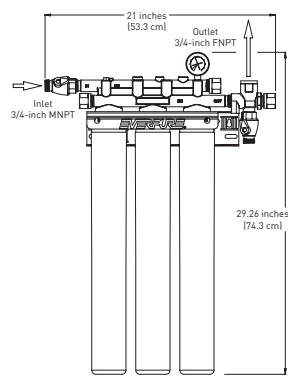
DIMENSIONS



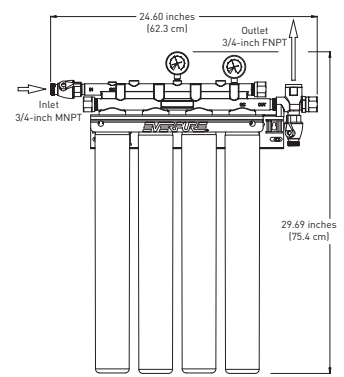
Single System



Twin System



Triple System



Quad System

OPERATING SPECIFICATIONS*

Combined Model Name	Replacement Cartridges	Flow Rate	Capacity
QC7I Single - MC	MC	1.67 gpm (6.3 Lpm)	9,000 gal (34,068 L)
QC7I Single - MC ²	MC ²	1.67 gpm (6.3 Lpm)	9,000 gal (34,068 L)
QC7I Single - MH	MH	1.67 gpm (6.3 Lpm)	9,000 gal (34,068 L)
QC7I Single - MH ²	MH ²	1.67 gpm (6.3 Lpm)	9,000 gal (34,068 L)
QC7I Single - TO	TO	1.5 gpm (5.6 Lpm)	30,000 gal (113,562 L)
QC7I Single - CV	CV	1.67 gpm (6.3 Lpm)	7,500 gal (28,390 L)
QC7I Single - XCV	XCV	1.67 gpm (6.3 Lpm)	10,000 gal (37,854 L)
QC7I Single - XC	XC	1.67 gpm (6.3 Lpm)	12,000 gal (45,424 L)
QC7I Single - XC ²	XC ²	1.67 gpm (6.3 Lpm)	12,000 gal (45,424 L)
QC7I Single - 7CB5	7CB5	2.5 gpm (9.4 Lpm)	10,000 gal (37,854 L)
QC7I Single - 7CB5-K	7CB5-K	2.5 gpm (9.4 Lpm)	10,000 gal (37,854 L)
QC7I Single - 7CB5-S	7CB5-S	2.5 gpm (9.4 Lpm)	10,000 gal (37,854 L)

Combined Model Name	Replacement Cartridges	Flow Rate	Capacity
QC7I Twin - MC	MC	3.3 gpm (12.4 Lpm)	18,000 gal (68,137 L)
QC7I Twin - MC ²	MC ²	3.3 gpm (12.4 Lpm)	18,000 gal (68,137 L)
QC7I Twin - MH	MH	3.3 gpm (12.4 Lpm)	18,000 gal (68,137 L)
QC7I Twin - MH ²	MH ²	3.3 gpm (12.4 Lpm)	18,000 gal (68,137 L)
QC7I Twin - TO	TO	3.0 gpm (11.3 Lpm)	60,000 gal (227,124 L)
QC7I Twin - CV	CV	3.3 gpm (12.4 Lpm)	15,000 gal (56,781 L)
QC7I Twin - XCV	XCV	3.3 gpm (12.4 Lpm)	20,000 gal (75,708 L)
QC7I Twin - XC	XC	3.3 gpm (12.4 Lpm)	24,000 gal (90,849 L)
QC7I Twin - XC ²	XC ²	3.3 gpm (12.4 Lpm)	24,000 gal (90,849 L)
QC7I Twin - 7CB5	7CB5	5.0 gpm (18.9 Lpm)	20,000 gal (75,708 L)
QC7I Twin - 7CB5-K	7CB5-K	5.0 gpm (18.9 Lpm)	20,000 gal (75,708 L)
QC7I Twin - 7CB5-S	7CB5-S	5.0 gpm (18.9 Lpm)	20,000 gal (75,708 L)

Combined Model Name	Replacement Cartridges	Flow Rate	Capacity
QC7I Triple - MC	MC	5.0 gpm (18.9 Lpm)	27,000 gal (102,206 L)
QC7I Triple - MC ²	MC ²	5.0 gpm (18.9 Lpm)	27,000 gal (102,206 L)
QC7I Triple - MH	MH	5.0 gpm (18.9 Lpm)	27,000 gal (102,206 L)
QC7I Triple - MH ²	MH ²	5.0 gpm (18.9 Lpm)	27,000 gal (102,206 L)
QC7I Triple - TO	TO	4.5 gpm (17.0 Lpm)	90,000 gal (340,687 L)
QC7I Triple - CV	CV	5.0 gpm (18.9 Lpm)	22,500 gal (85,171 L)
QC7I Triple - XCV	XCV	5.0 gpm (18.9 Lpm)	30,000 gal (113,562 L)
QC7I Triple - XC	XC	5.0 gpm (18.9 Lpm)	36,000 gal (136,274 L)
QC7I Triple - XC ²	XC ²	5.0 gpm (18.9 Lpm)	36,000 gal (136,274 L)
QC7I Triple - 7CB5	7CB5	7.5 gpm (28.3 Lpm)	30,000 gal (113,562 L)
QC7I Triple - 7CB5-K	7CB5-K	7.5 gpm (28.3 Lpm)	30,000 gal (113,562 L)
QC7I Triple - 7CB5-S	7CB5-S	7.5 gpm (28.3 Lpm)	30,000 gal (113,562 L)

Combined Model Name	Replacement Cartridges	Flow Rate	Capacity
QC7I Quad - MC	MC	6.6 gpm (24.9 Lpm)	36,000 gal (136,274 L)
QC7I Quad - MC ²	MC ²	6.6 gpm (24.9 Lpm)	36,000 gal (136,274 L)
QC7I Quad - MH	MH	6.6 gpm (24.9 Lpm)	36,000 gal (136,274 L)
QC7I Quad - MH ²	MH ²	6.6 gpm (24.9 Lpm)	36,000 gal (136,274 L)
QC7I Quad - TO	TO	6.0 gpm (22.7 Lpm)	120,000 gal (454,249 L)
QC7I Quad - CV	CV	6.6 gpm (24.9 Lpm)	30,000 gal (113,562 L)
QC7I Quad - XCV	XCV	6.6 gpm (24.9 Lpm)	40,000 gal (151,416 L)
QC7I Quad - XC	XC	6.6 gpm (24.9 Lpm)	48,000 gal (181,699 L)
QC7I Quad - XC ²	XC ²	6.6 gpm (24.9 Lpm)	48,000 gal (181,699 L)
QC7I Quad - 7CB5	7CB5	10.0 gpm (37.8 Lpm)	40,000 gal (151,416 L)
QC7I Quad - 7CB5-K	7CB5-K	10.0 gpm (37.8 Lpm)	40,000 gal (151,416 L)
QC7I Quad - 7CB5-S	7CB5-S	10.0 gpm (37.8 Lpm)	40,000 gal (151,416 L)

*For individual cartridge specifications, refer to cartridge literature.

Temperature: 35 - 100°F (2 - 38°C)

Pressure: 10 - 125 psi (0.7 - 8.6 bar), non-shock

For cold water use only.

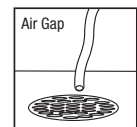
INSTALLATION

1. Use the predrilled mounting holes in the manifold bracket as guides. Mark and drill anchor holes. Mount securely.
2. Shut off power to machine.
3. Connect outlet port of QC7I unit to equipment served. Always use a NSF approved pipe dope or plumber tape at all connections. Use a backup wrench on all fittings while connecting to avoid excessive stress on the system components.

NOTE: If the optional Everpure® E-Series Filter is used, install a manual shut-off valve leading to the system for servicing.

4. Connect minimum 3/8-inch water line to inlet side of QC7I single. Use minimum 1/2-inch line for other systems.
5. The cross fitting has a flushing valve installed on the bottom. Connect tubing to the flushing valve and run to drain.

NOTE: Some municipal plumbing codes and good sanitary practices require an air gap at the drain termination point.



6. Install the cartridge(s) into the QC7I head(s) following directions on the cartridge label or as shown in the Cartridge Change illustrations.
7. Turn on water to filter and check for leaks.
8. Flush the cartridge by running water through at full force for five (5) minutes. This will set the filtering media and purge air and fines, insuring maximum filter life.
9. After flushing, close the flushing valve and turn on power to equipment and plug the LPA (if so equipped) into the electrical outlet.

CARTRIDGE CHANGE DETERMINATION

Replace cartridges when capacity is reached, or when flow becomes inadequate, but at least annually. All cartridges on multiple cartridge systems should be changed at the same time. The Everpure® Pressure Gauge or Everguard™ Low Pressure Alarm (LPA) provides a quick and simple means of determining when the filter cartridge(s) should be changed. Installed on the outlet port of the filter, the gauge or Everguard LPA can be used to measure both dynamic (flowing) and static (line) pressure. The cartridge(s) should be changed when the pressure gauge needle is in the red area while equipment is in operation, and yet the needle shows adequate line pressure between cycles. Observe the needle during the next equipment on cycle. If the needle registers adequate pressure, it can be assumed that the temporary low-pressure condition was caused by a brief power failure or other incoming pressure disruption.

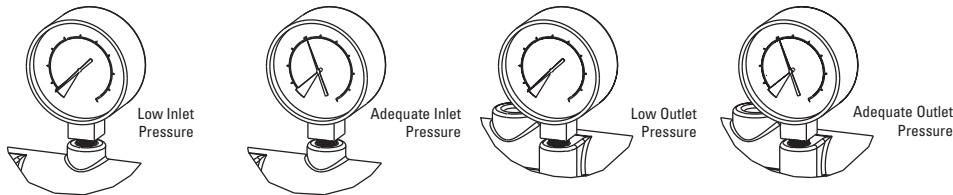
FLUSHING

For maximum life, all carbon filter cartridges must be flushed for five (5) minutes at full flow before use.

ALL NEW CARTRIDGES MUST BE FLUSHED AFTER EACH CARTRIDGE CHANGE BEFORE BEING PUT INTO SERVICE!

If the cartridges are new, have been properly flushed and both needle and follower register inadequate pressure, or the LPA is sounding, you may be experiencing inadequate water pressure or some restriction may exist in the inlet water line. In either case, the incoming water pressure must be improved to receive optimum filter life.

PRESSURE GAUGES



COMPLETE CARTRIDGE CHANGE INSTRUCTIONS CAN BE FOUND ON THE FILTER CARTRIDGE LABEL.

NOTES

Check for compliance with state and local laws and regulations. Do not use with water that is microbiologically unsafe or of unknown quality without adequate disinfection before or after the system. Systems certified for cyst reduction may be used on disinfected waters that may contain filterable cysts.

The term 'bacteriostatic' indicates that the system limits the passage or growth of bacteria that may already exist in the incoming water. It does not mean that the water leaving the system is safer to drink than the water entering the system.

For installations in Massachusetts, the Commonwealth of Massachusetts Plumbing Code 248 CMR shall be adhered to. Consult your licensed plumber for installation of the system. This system and its installation must comply with state and local regulations.

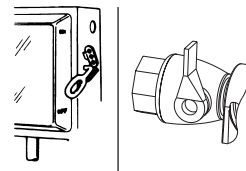
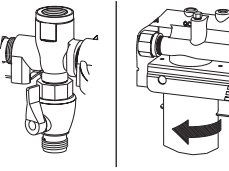
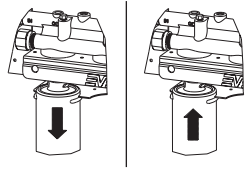
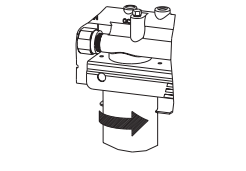
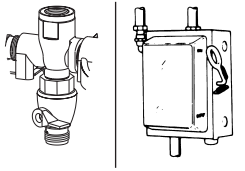
Not for residential use. For food service applications only.

REPLACEMENT PARTS

Contact your local Pentair® Everpure® dealer for filter cartridges or system replacement parts.

Description	Part Number
Outlet Pressure Gauge	EV3114-09
Inlet Pressure Gauge (quad only)	EV3114-09
Inlet Valve (twin & triple & quad)	EV3114-07
Flushing Valve	EV3114-07

CARTRIDGE CHANGE PROCEDURE

 <p>Everpure Carbon Filter Cartridge Change</p> <ol style="list-style-type: none"> 1. Shut off power to equipment. Shut off inlet water ahead of system. 	 <ol style="list-style-type: none"> 2. Open flushing valve to relieve pressure. 3. Hold head firmly and push upward. Turn cartridge to left until it stops. 	 <ol style="list-style-type: none"> 4. Pull cartridge downward and out of head. 5. Hold head firmly. Align cartridge lug with label. Insert new cartridge firmly into head. 	 <ol style="list-style-type: none"> 6. Turn cartridge right 90° until rotation stops. 7. Repeat steps 3-6 for remaining cartridges. 	 <p>Flushing</p> <ol style="list-style-type: none"> 8. With flushing valve fully open, open inlet water at full force for five minutes. Close flushing valve. 9. Turn on power to equipment.
---	--	--	---	--

LIMITED WARRANTY

COMMERCIAL WATER TREATMENT EQUIPMENT

You have just purchased one of the finest water treatment units made. As an expression of confidence in this product, Pentair Filtration Solutions, LLC ("PFS") offers the following product warranty. This product is warranted against material defects in materials and workmanship to the original end-user when installed in accordance with the PFS specifications. The warranty period commences on the date of purchase and is administered as follows:

For a period of ONE YEAR

Replaceable elements (i.e., filter & water treatment cartridges)*

For a period of FIVE YEARS

The entire system (excluding replaceable elements)

The unit must be used in operating conditions that conform to PFS's recommended guidelines. This warranty will not apply if the unit has been modified, repaired or altered by someone not authorized by PFS.

If a part described above is found to have a material defect in materials or workmanship within the specified warranty period, you should notify Pentair® Everpure technical service at the phone number listed below. Any part found materially defective within the terms of this warranty will be repaired or replaced (at PFS's discretion) by your local dealer or Pentair Everpure technical service. You pay only freight from our factory and local dealer charges. Any item repaired or replaced pursuant to this warranty will be covered under the original warranty terms of the system.

PFS is not responsible for damage caused by accident, fire, flood, freezing, Act of God, misuse, misapplication, neglect, oxidizing agents (such as chlorine, ozone, chloramines and other related components), alteration, installation or operation contrary to our printed instructions, or by the use of accessories or components which do not meet PFS's specifications. Refer to the specifications section in the Installation and Operating manual for approved application parameters.

Our product performance specifications are furnished with each water treatment unit. TO THE EXTENT PERMITTED BY LAW, EVERPURE DISCLAIMS ALL IMPLIED WARRANTIES, INCLUDING WITHOUT LIMITATION WARRANTIES OF MERCHANTABILITY AND FITNESS FOR PARTICULAR PURPOSE; TO THE EXTENT REQUIRED BY LAW, ANY SUCH IMPLIED WARRANTIES ARE LIMITED IN DURATION TO THE PERIOD SPECIFIED ABOVE FOR THE ENTIRE WATER TREATMENT UNIT.

As a manufacturer, we do not know the characteristics of your water supply or the purpose for which you are purchasing this product. The quality of water supplies may vary seasonally or over a period of time, and your water usage rate may vary as well. Water characteristics can also differ considerably if this product is moved to a new location. For these reasons, we assume no liability for the determination of the proper equipment necessary to meet your requirements, and we do not authorize others to assume such obligations for us. Further, we assume no liability and extend no warranties, express or implied, for the use of this product with a non-potable water source or a water source which does not meet the conditions for use described in the owner's guide or performance data sheet for this product.

OUR OBLIGATIONS UNDER THIS WARRANTY ARE LIMITED TO THE REPAIR OR REPLACEMENT (AT PFS'S DISCRETION) OF THE FAILED PARTS OF THE WATER TREATMENT UNIT, AND WE ASSUME NO LIABILITY WHATSOEVER FOR DIRECT, INDIRECT, INCIDENTAL, CONSEQUENTIAL, SPECIAL, GENERAL OR OTHER DAMAGES.

Some states do not allow the exclusion of implied warranties or limitations on how long an implied warranty lasts, so the above limitation may not apply to you. Similarly, some states do not allow the exclusion of incidental or consequential damages, so the above limitation or exclusion may not apply to you. This warranty gives you specific legal rights, and you may also have other rights which vary from state to state.

*Warranty applies to material defects in materials & workmanship only.

EPA Est. No. 002623-IL-002



FILTRATION & PROCESSING SOLUTIONS

EVERPURE-SHURFLO WORLD HEADQUARTERS, 1040 MUIRFIELD DRIVE, HANOVER PARK, IL 60133 USA • WWW.EVERPURE.COM
800.942.1153 MAIN (US ONLY) • 800.942.1153 (US ONLY) • 630.307.3000 MAIN • 630.307.3030 FAX • CSEVERPURE@PENTAIR.COM EMAIL

PENTAIR AUSTRALIA/NEW ZEALAND, 1-21 MONASH DRIVE, DANDENONG SOUTH, VIC 3175, AUSTRALIA
1300.576.190 TEL • AU.EVERPURE@PENTAIR.COM EMAIL

EVERPURE-SHURFLO CHINA, 21F CLOUD 9 PLAZA, NO 1118, SHANGHAI, 200052, CHINA
86.21.3211.4588 TEL • 86.21.3211.4580 FAX • CHINA.WATER@PENTAIR.COM EMAIL

EVERPURE-SHURFLO INDIA, GREEN BOULEVARD, B-9/A, 7TH FLOOR - TOWER B SECTOR 62, NOIDA - 201301
91.120.419.9444 TEL • 91.120.419.9400 FAX • INDIACUSTOMER@PENTAIR.COM EMAIL

EVERPURE-SHURFLO EUROPE, PENTAIR WATER BELGIUM BVBA, INDUSTRIEPARK WOLFSTEE, TOEKOMSTLAAN, 30 B-2200 HERENTALS, BELGIUM
+32.(0).14.283.500 TEL • +32.(0).14.283.505 FAX • SALES@EVERPURE-EUROPE.COM EMAIL

EVERPURE-SHURFLO JAPAN INC., HASHIMOTO MN BLDG. 7F, 3-25-1 HASHIMOTO, MIDORI-KU, SAGAMIHARA-SHI KANAGAWA 252-0143, JAPAN
81.(0)42.775.3011 TEL • 81.(0)42.775.3015 FAX • INFO@EVERPURE.CO.JP EMAIL

EVERPURE-SHURFLO SOUTHEAST ASIA, 390 HAVELOCK ROAD, #04-01, KING'S CENTRE, SINGAPORE 169662
65.6795.2213 TEL • FAX: 65.6795.2219 FAX • CSEVERPURE@PENTAIR.COM EMAIL

All Pentair trademarks and logos are owned by Pentair, Inc. or its affiliates. All other registered and unregistered trademarks and logos are the property of their respective owners. Because we are continuously improving our products and services, Pentair reserves the right to change specifications without prior notice. Pentair is an equal opportunity employer.

© 2014 Pentair Filtration Solutions, LLC. All Rights Reserved.

EV3024-87 Rev F MY14