



**SHELCO
FILTERS**



SJCH SERIES *Single Jumbo Cartridge Housings*

Jumbo cartridge filter housings are designed to accept a single cartridge for easy installation and replacement. Options include 304L or 316L stainless steel; band clamp or swing bolt closures. Design pressure 150 psi (10 bar) @ 300° F (149° C). Standard inlet and outlet connections are 2" MNPT, with pressure gauges body mounted for easy viewing of differential pressure. Standard finish is Poly-coat over stainless. All Jumbo models are standard with mounting legs and grounding lug. Standard gasket is FDA grade Buna-N. Electro-polishing and other options are available by special order.

Features

- Designed for industrial and commercial filtration needs
- Heavy duty stainless steel construction for durability
- 304L standard and 316L stainless steel available
- Band clamp or swing-bolt closures for quick cartridge change outs
- Mounting legs standard
- Superior sealing provided by adjustable compression cap
- Pressure gauges installed
- Three Sizes available with flows up to 150 gpm
- 20 micron and above elements can be cleaned and reused
- See ordering guide for a complete selection of options to fit your application



Complete line of Cartridges
see bulletin SJC-500-1



Adjustable Compression Cap

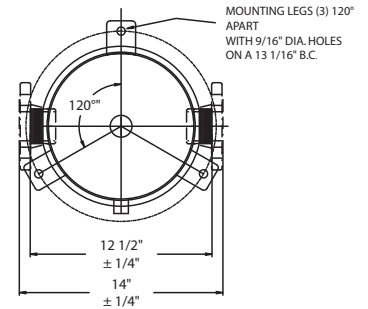
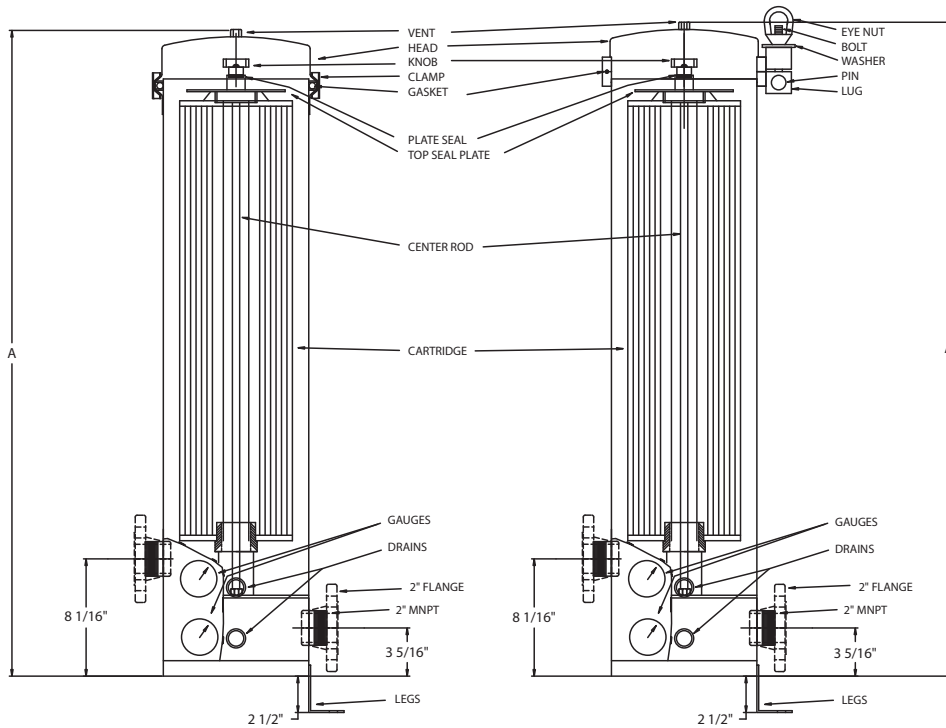
Standard Design Specifications

Model	No. & (length) Of Cartridges	Max Flow GPM*	Pipe Size	Drains	Vent	Ctg Diameter	Shipping Weight Clamp	Box Size Clamp	Shipping Weight SB	Box Size Swing Bolt
SJCH-40	1 (9 5/8")	50	2" MNPT	1/2" NPT	1/4" NPT	7 3/4" OD	40 lbs	18x18x25	71 lbs	18x18x29
SJCH-90	1 (19 1/2")	100	2" MNPT	1/2" NPT	1/4" NPT	7 3/4" OD	51 lbs	18x18x35	82 lbs	18x18x39
SJCH-170	1 (30 3/4")	150	2" MNPT	1/2" NPT	1/4" NPT	7 3/4" OD	60 lbs	18x18x45	91 lbs	18x18x49

Flow rates are for guide lines only, actual flow rates are based on fluid, viscosity, cartridge type, micron ratings and other factors.

*For complete Flow and Pressure drop information please see bulletin SJC-500-1 = SJC Cartridges

Dimensions



MODEL	CLAMP STYLE	SWING BOLT STYLE
	DIM. A	DIM. A
SJCH-40	27"	27 1/2"
SJCH-90	37"	37 1/2"
SJCH-170	47"	47 1/2"

ORDERING GUIDE

SJCH - 170		C	- 316 -	2F	- EP -	OL	- E
Product Code	Cartridge Series	Closure Style	Material	Connection Type	Finish	Options	Gasket
SJCH	40 = 40 Series 90 = 90 Series 170 = 170 Series	C = V Band Clamp SB = Swing Bolt	Blank = 304L 316 = 316L	Blank = 2" MNPT 1.5MNPT = 1 1/2" MNPT BSP = 2" BSP - Nipple 1F = 1" Flange 1.5F = 1 1/2" Flange 2F = 2" Flange 1TC = 1" Ferrules 1.5TC = 1 1/2" Ferrules 2TC = 2" Ferrules 2.5TC = 2 1/2" Ferrules GF1.5 = 1 1/2" Grooved Fittings GF2 = 2" Grooved Fittings 2FMPT = 2" Coupling	Blank = Standard Poly Coat EP = Electro-Polished GB = Glass Bead P = Passivate	Blank = ML mounting legs with grounding lug and body mount gauge ports with gauges OL= Heavy Duty Mounting Legs with grounding lug and body mount gauge ports with gauges	Blank = Buna E = EPR S = Silicone V = Viton TS = Teflon Encapsulated Silicone



Flanged Fittings



Swing Bolt Closure



Sanitary Fittings



Electropolish



tel: 860.854.6121
800.543.5843
fax: 860.854.6120
e-mail: info@shelco.com
www.shelco.com

SHELCO FILTERS

100 Bradley Street . Middletown, CT 06457 . USA