



**SHELCO  
FILTERS**



## **4FOS and 5FOS** **Multi-Cartridge Housings**

We manufacture a complete line of four and five round models to accommodate a wide range of flow rates. Options include 304L or 316L stainless steel; band clamp or swing bolt closure. Design pressure 150psi (10bar) @ 300°F (149°C). Standard inlet and outlet connections are 2" MNPT with many other options available. Standard finish is poly-coat over stainless and other options can be special ordered. Standard gasket is FDA grade Buna-N.

### **Features**

- Designed for industrial and commercial filtration needs
- Heavy duty stainless steel construction for durability
- 304L standard and 316L stainless steel available.
- Band clamp and swing-bolt closures for quick cartridge change outs
- Pipe fittings readily accessible for easy installation
- Knife edge seal at both cartridge ends to eliminate by-pass
- Standard housings accept double-open-end cartridges
- Available with 222 or 226 cartridge adapters
- Complete selection of pipe fittings: flanged, sanitary, BSP, grooved and others
- See ordering guide for a complete selection of options to fit your application



Adjustable top plate accepts variable length cartridges

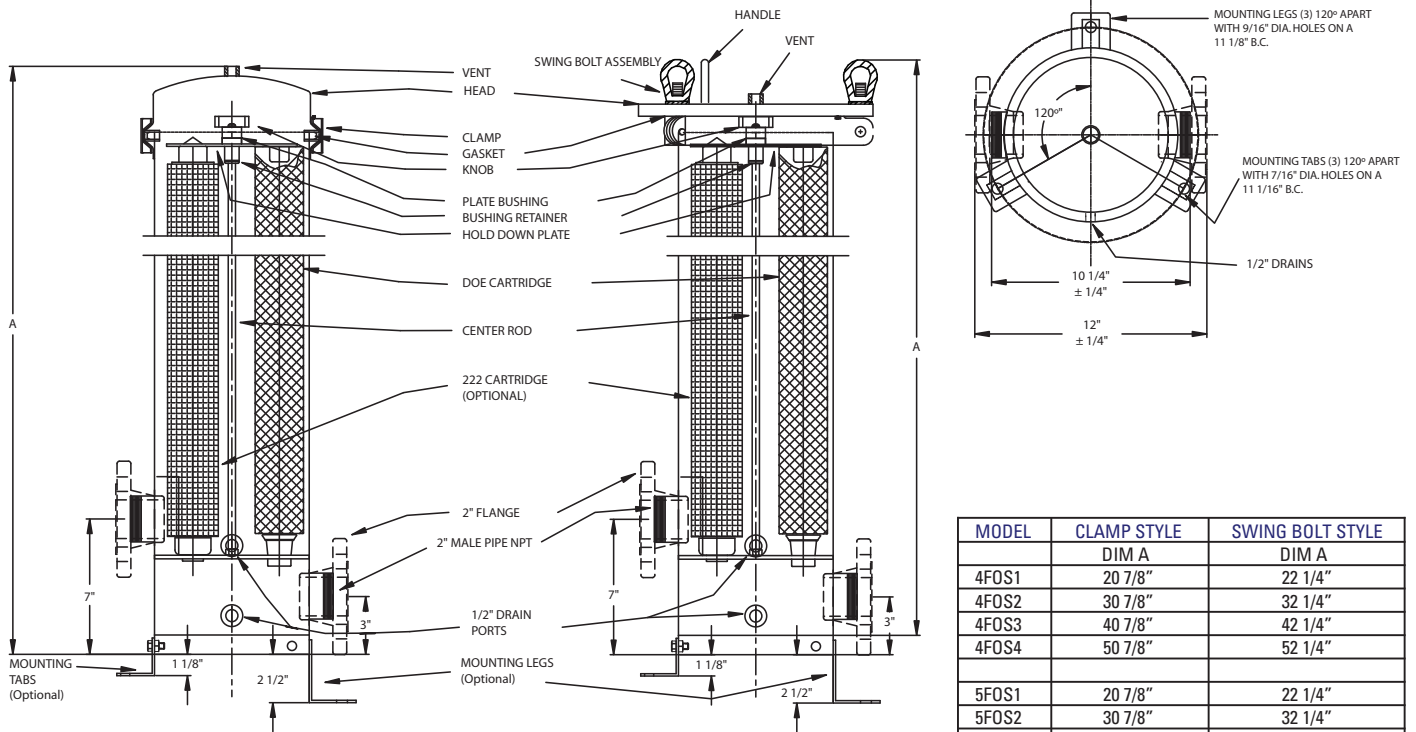
### **Standard Design Specifications**

Model	Qty. (Length) of Cartridges†	Flow Rate GPM*	Pipe Size	Drains	Vent	Max Ctg Diameter	Shipping Wgt. Clamp	Box Size Clamp	Shipping Wgt. Swing Bolt	Box Size Swing Bolt
4FOS1	4 (10")	28	2" MNPT	1/2"NPT	1/4"NPT	2 3/4" OD	25 lbs	12x12x23	62 lbs	18x18x27
4FOS2	4 (20")	56	2" MNPT	1/2"NPT	1/4"NPT	2 3/4" OD	31 lbs	12x12x33	68 lbs	18x18x37
4FOS3	4 (30")	84	2" MNPT	1/2"NPT	1/4"NPT	2 3/4" OD	38 lbs	12x12x43	74 lbs	18x18x47
4FOS4	4 (40")	112	2" MNPT	1/2"NPT	1/4"NPT	2 3/4" OD	45 lbs	12x12x53	80 lbs	18x18x57
5FOS1	5 (10")	35	2" MNPT	1/2"NPT	1/4"NPT	2 3/4" OD	26 lbs	12x12x23	64 lbs	18x18x27
5FOS2	5 (20")	70	2" MNPT	1/2"NPT	1/4"NPT	2 3/4" OD	32 lbs	12x12x33	70 lbs	18x18x37
5FOS3	5 (30")	105	2" MNPT	1/2"NPT	1/4"NPT	2 3/4" OD	39 lbs	12x12x43	76 lbs	18x18x47
5FOS4	5 (40")	140	2" MNPT	1/2"NPT	1/4"NPT	2 3/4" OD	46 lbs	12x12x53	82 lbs	18x18x57

†Housings will accept: 10" = (9 3/4" or 10") 20" = (19 1/2" or 20") 30" = (29 1/4" or 30") 40" = (39" or 40") lengths

\*Based on 7gpm per 10" length with a 25 micron wound cartridge at 2PSID clean and a viscosity of 1 cps. Flow rates are for guide lines only. Actual flow rates are based on fluid, viscosity, cartridge type, micron ratings and other factors.

# Dimensions



MODEL	CLAMP STYLE	SWING BOLT STYLE
	DIM A	DIM A
4FOS1	20 7/8"	22 1/4"
4FOS2	30 7/8"	32 1/4"
4FOS3	40 7/8"	42 1/4"
4FOS4	50 7/8"	52 1/4"
5FOS1	20 7/8"	22 1/4"
5FOS2	30 7/8"	32 1/4"
5FOS3	40 7/8"	42 1/4"
5FOS4	50 7/8"	52 1/4"

## ORDERING GUIDE

4 FOS		2 - SB		316 - 222		2TC		EP		ML		E	
No. of Columns	Product Code	No. of Stacks	Closure Style	Material	Cartridge Configuration	Connection Type		Finish		Options		Gasket	
4 5	FOS	1 = 1 High 2 = 2 High 3 = 3 High 4 = 4 High	Blank = V-Band Clamp SB = Swing Bolt	Blank = 304L 316 = 316L	Blank = Double Open Ended 222 = 222 Style Cartridge Fin or Flat 226 = 226 Style Cartridge Fin or Flat	Blank = 2" MNPT 1.5MNPT = 1 1/2" MNPT BSP = 2" BSP-NIPPLE 1F = 1" Flange 1.5F = 1 1/2" Flange 2F = 2" Flange 1TC = 1" Ferrules 1.5TC = 1 1/2" Ferrules 2TC = 2" Ferrules 2.5TC = 2 1/2" Ferrules GF1.5 = 1 1/2" Grooved Fittings GF2 = 2" Grooved Fittings 2FMPT = 2" Coupling		Blank = Standard Poly Coat EP = Electro-Polished GB = Glass Bead P = Passivate		Blank = None ML = Legs TABS = Tabs OL = Heavy Duty Legs GP = Gauge Ports GPA = Gauge Ports with gauges UP = Universal Parts		Blank = Buna E = EPR S = Silicone V = Viton TS = Teflon Encapsulated Silicone	



Mounting Tabs  
(May be installed at site)



Sanitary Fittings



Gauge Port Assembly  
with Mounting Legs



Electro-polish



tel: 860.854.6121  
800.543.5843  
fax: 860.854.6120  
e-mail: info@shelco.com  
www.shelco.com

# SHELCO FILTERS

100 Bradley Street . Middletown, CT 06457 . USA