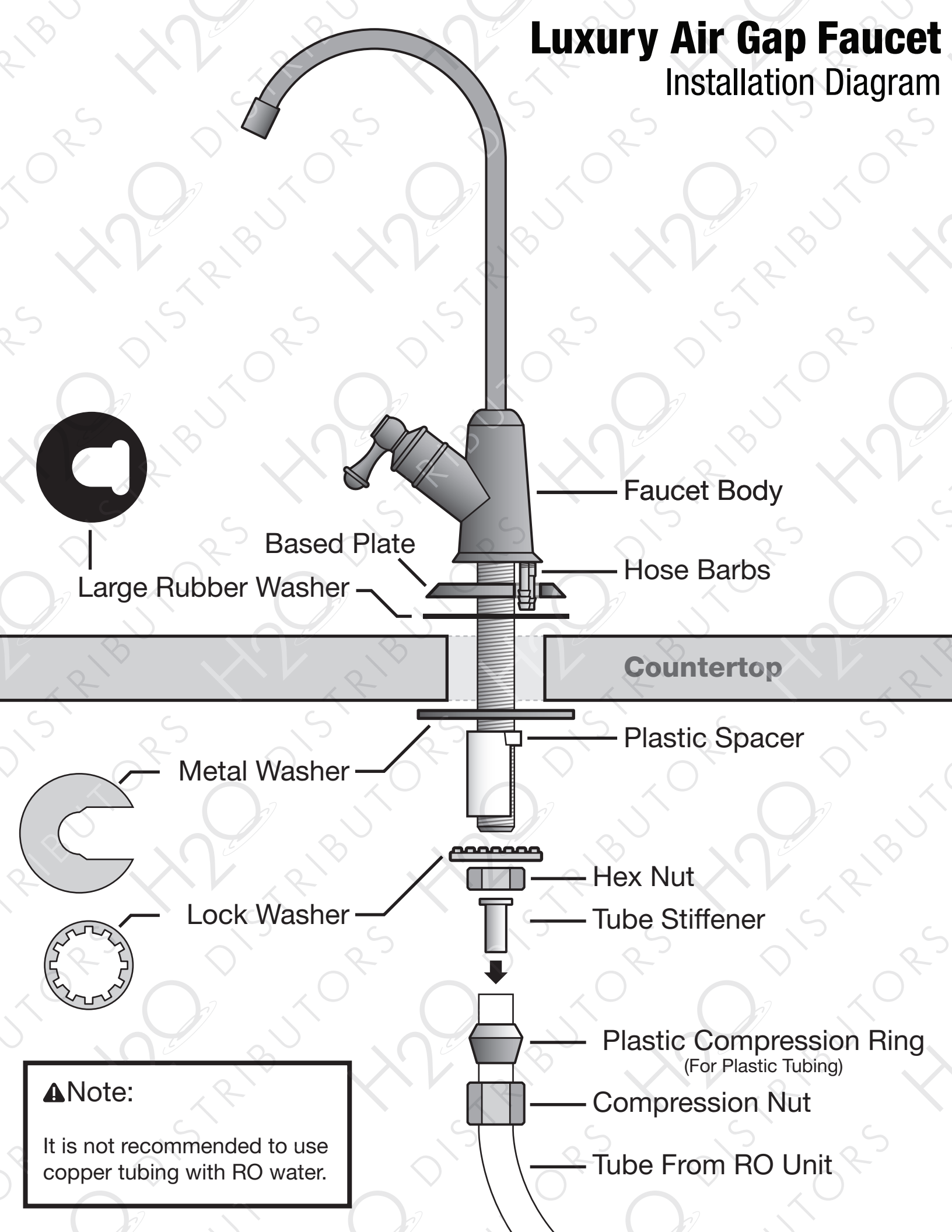
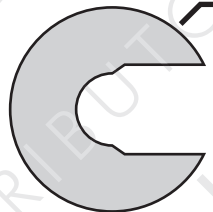


# Luxury Air Gap Faucet

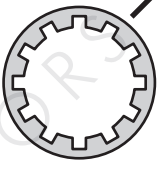
## Installation Diagram



Large Rubber Washer



Metal Washer



Lock Washer

**▲Note:**  
It is not recommended to use copper tubing with RO water.

Faucet Body

Based Plate

Hose Barbs

Countertop

Plastic Spacer

Hex Nut

Tube Stiffener

Plastic Compression Ring  
(For Plastic Tubing)

Compression Nut

Tube From RO Unit