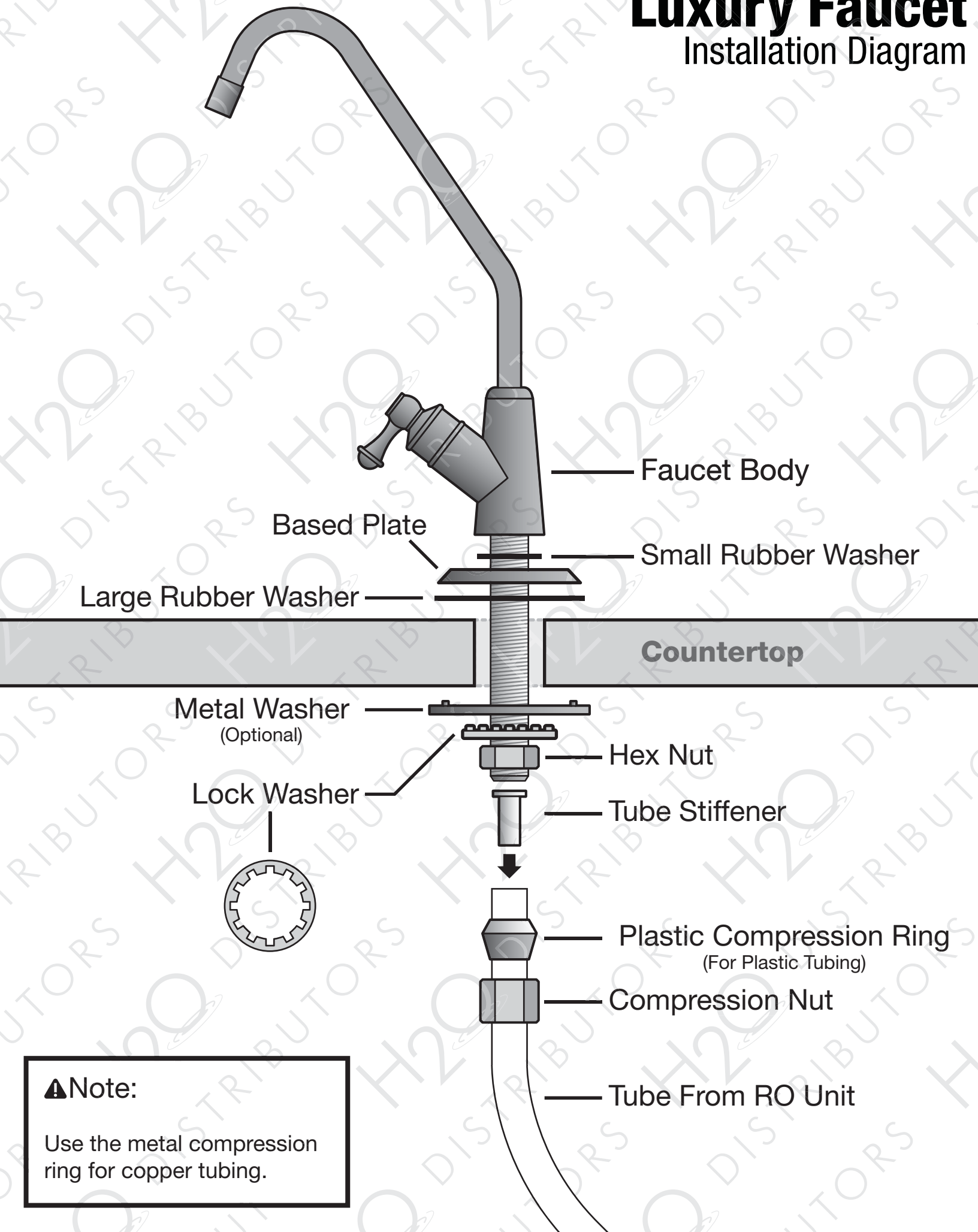


Luxury Faucet

Installation Diagram



▲ Note:

Use the metal compression ring for copper tubing.